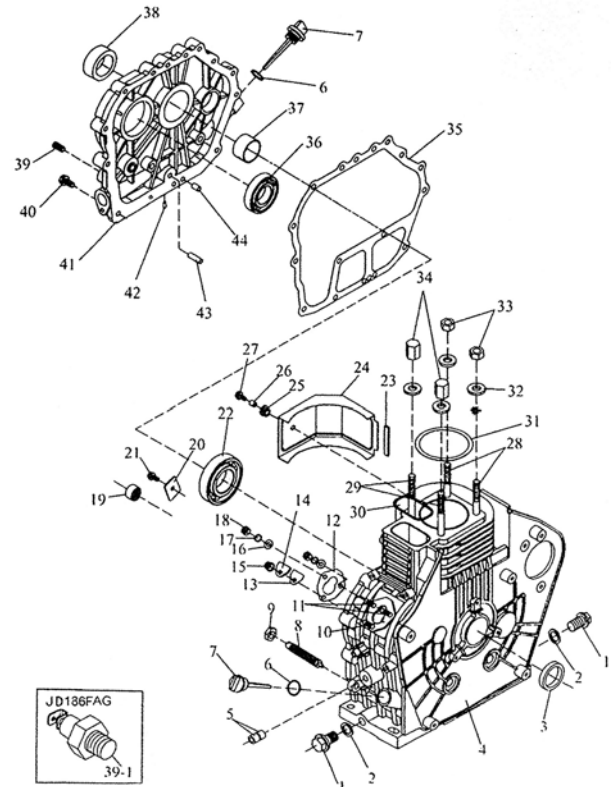


## 11. PARTS LIST

Cylinder Block Assembly

A



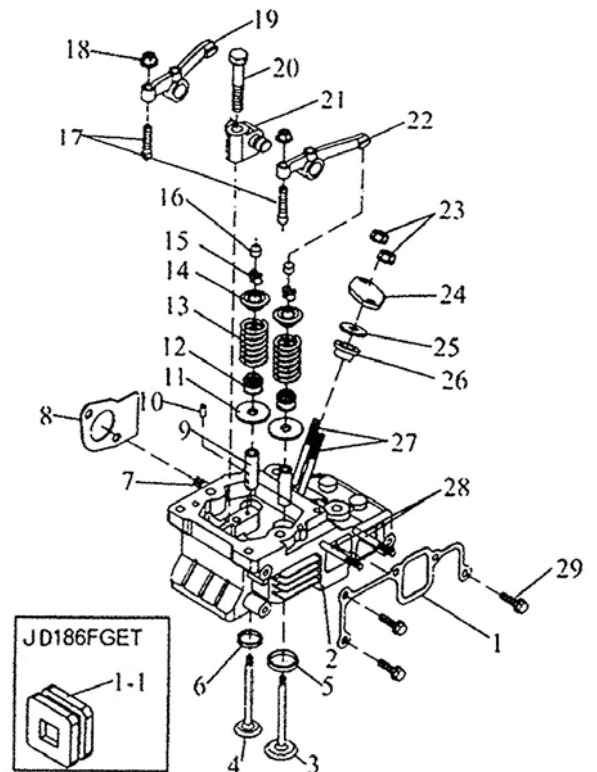
## 11. PARTS LIST

APA PART NO.	FACTORY CODE	DESCRIPTION	QTY
APE7210-A-01-XD	JD186FA.1-18	Oil Drain Screw Plug	2
APE7210-A-02-XD	JD186FA.1.1	Oil Drain Screw Plug Gasket Components	2
APE7210-A-03-XD	GB/T13871-1992	Oil Seal Sg35x50x8 (Back)	1
APE7210-A-04-XD	JD186FA.1-1	Cylinder Block	1
APE7210-A-05-XD	GB/T290-1999	Needle Roller Bearings 791/8	1
APE7210-A-06-XD	GB/T1235-1976	Ring 2 2.5x2.4	2
APE7210-A-07-XD	JD186FA.1-2	Oil Ruler	2
APE7210-A-08-XD	JD186FA.11.2	Fuel Controller Parts	2
APE7210-A-09-XD	GB/T6173-2000	Nut M10x1.25	1
APE7210-A-10-XD	JD186FA.1-12	Fuel Pump Fastening Bolt (Short)	1
APE7210-A-11-XD	JD186FA.1-11	Fuel Pump Fastening Bolt (Long)	1
APE7210-A-12-XD	JD186FA.10-14	Fuel Pump Gasket	2
APE7210-A-13-XD	JD186FA.10-16	Seal Gasket	1
APE7210-A-14-XD	JD186FA.10-15	Seal Plate	1
APE7210-A-15-XD	GB/T5183-2000	Nut M6	1
APE7210-A-16-XD	GB/T97.1-2002	Washers 6	2
APE7210-A-17-XD	GB93-1987	Washers 6	2
APE7210-A-18-XD	GB/T6170-2000	Nut M6	2
APE7210-A-19-XD	GB/T290-1999	Needle Roller Bearings Hk1512	1
APE7210-A-20-XD	JD186FA.1-9	Tbrust Gasket	1
APE7210-A-21-XD	GB/T5789-1986	Bolt M8x12	1
APE7210-A-22-XD	GB/T276-1994	Scroll Bearing 6308/p5	1
APE7210-A-23-XD	JD186FA.1.2-3	Insulation Artocle Pad	1
APE7210-A-24-XD	JD186FA.1.2-4	Baffle	1
APE7210-A-25-XD	JD186FA.1.2-1	Vibration Isolation Pads	1
APE7210-A-26-XD	JD178FA.1.2-2	Sheath	1
APE7210-A-27-XD	GB/T5789-1986	Holt M6x18	1
APE7210-A-28-XD	JD186FA.1-3	Double Stud Of Cylinder (Short)	2
APE7210-A-29-XD	JD186FA.1-6	Double Stud Of Cylinder (Long)	2
APE7210-A-30-XD	JD186FA.1-8	Seal Ring	1
APE7210-A-31-XD	JD186FA.1-13	Cylinder Head Gasket	1
APE7210-A-32-XD	JD186FA.1-5	Washers Of Nuts Of Cylinder Head	4
APE7210-A-33-XD	JD186FA.1-4	Nut Of Cylinder Head (Thin)	2
APE7210-A-34-XD	JD186FA.1-7	Nut Of Cylinder Head (Thick)	2
APE7210-A-35-XD	JD186FA.1-15	Crankcase Cover Gasket	1
APE7210-A-36-XD	GB276-1994	Scroll Bearing 6207/p5	1
APE7210-A-37-XD	JD186FA.1-14	Slide Bearing	1
APE7210-A-38-XD	GB/T13871-1992	Oil Seal Sg35x50x8 (Front)	1
APE7210-A-39-XD	JD186FA.1-19	Hexagon Screw Plug	1
APE7210-A-39-1-XD	JD186FA.1-2	Oil Indicator	1
APE7210-A-40-XD	GB/T5789-1986	Bolt M8x33.5	16
APE7210-A-41-XD	JD186FA.1-16	Crankcase Cover	1
APE7210-A-42-XD	JD186FA.1-21	Plug	3
APE7210-A-43-XD	JD186FA.9-3	Oil Inlet Duct	1
APE7210-A-44-XD	GB/T119.1-2000	Pin 8x12	2

## 11. PARTS LIST

Cylinder Head Assembly

B



## 11. PARTS LIST

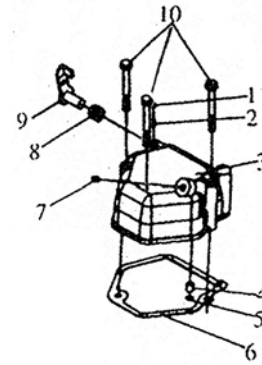
APA PART NO.	FACTORY CODE	DESCRIPTION	QTY
APE7210-B-01-XD	JD186FA.2-9	Air intake Manifold Gasket	1
APE7210-B-01-1-XD	JD186FGET-02105	Rubber plug	1
APE7210-B-02-XD	JD186FA.2-2-2	Cylinder head	1
APE7210-B-03-XD	JD186FA.2-4	Intake valve	1
APE7210-B-04-XD	JD186FA.2-3	Exhaust valve	1
APE7210-B-05-XD	JD186FA.2-2-3	Intake valve seat	1
APE7210-B-06-XD	JD186FA.2-2-4	Exhaust valve seat	1
APE7210-B-07-XD	GB/T899-1989	Stud AM8X20	2
APE7210-B-08-XD	JD186FA.2-11	Exhaust pipe gasket	1
APE7210-B-09-XD	JD186FA.2-2-1	Valve guide pipe	2
APE7210-B-10-XD	GB119.1-2000	Pin 4X8	1
APE7210-B-11-XD	JD186FA.2-6	Washer of Valve spring	2
APE7210-B-12-XD	JD186FA.2-17	Oil seal of Valve guide pipe	2
APE7210-B-13-XD	JD186FA.2-5	Valve spring	2
APE7210-B-14-XD	JD186FA.2-2	Seat of Valve spring	2
APE7210-B-15-XD	JD186FA.2-1	Lock Folder of valve	4
APE7210-B-16-XD	JD186FA.2-12	Pad for Valve adjustment	2
APE7210-B-17-XD	JD186FA.2-1-2	Screw for Valve Clearance Adjustment	2
APE7210-B-18-XD	JD186FA.2-16	Locking nut for valve clearance Adjustment	2
APE7210-B-19-XD	JD186FA.2-1-3	Exhaust valve rocker arm	1
APE7210-B-20-XD	JD186FA.2-13	Rocker arm bearing fastening bolt	1
APE7210-B-21-XD	JD186FA.2-1-1	Rocker arm bearing	1
APE7210-B-22-XD	JD186FA.2-1-4	Air intake valve rocker arm	1
APE7210-B-23-XD	GB/T6170-2000	Nut M6	1
APE7210-B-24-XD	JD186FA.2-7	Injector Plate	1
APE7210-B-25-XD	JD186FA.2-14	Insulation cover gasket	1
APE7210-B-26-XD	JD186FA.2-8	Insulation cover	1
APE7210-B-27-XD	GB/T900-1989	Stud AM6X50	2
APE7210-B-28-XD	GB/T900-1989	Stud AM6X75	2
APE7210-B-29-XD	GB/T899-1989	Stud AM6x25	3

23

## 11. PARTS LIST

Cylinder Head Cover Assembly

C



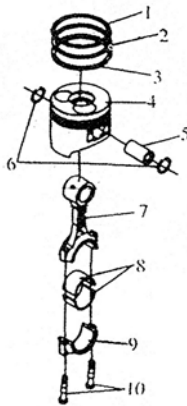
APA PART NO.	FACTORY CODE	DESCRIPTION	QTY
APE7210-C-01-XD	GB/T308-1989	Steel Ball 1/8g200	1
APE7210-C-02-XD	GB/T309-1984	Roll Needle 3x13.8	1
APE7210-C-03-XD	JD186FA.3-1	Cylinder Head Cover	1
APE7210-C-04-XD	JD186FA.3-5	Seat Of Respiator	1
APE7210-C-05-XD	GB/T1235-1976	Ring 12x1.9	1
APE7210-C-06-XD	JD186FA.3-2	Cylinder Head Cover Gasket	1
APE7210-C-07-XD	JD186FA.3-7	Stoppage	1
APE7210-C-08-XD	JD186FA.3-3	Decompression Spring	1
APE7210-C-09-XD	JD186FA.3.1	Decompression Shaft Parts	1
APE7210-C-10-XD	GB/T5782-2000	Bolt M6x70	3

24

## 11. PARTS LIST

Piston And Rod Assembly

D



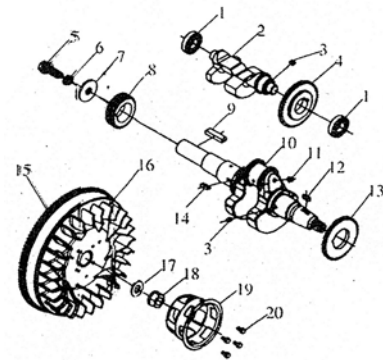
APA PART NO.	FACTORY CODE	DESCRIPTION	QTY
APE7210-D-01-XD	JD186FA.4-1	The First Piston Ring	1
APE7210-D-02-XD	JD186FA.4-2	The Second Piston Ring	1
APE7210-D-03-XD	JD186FA.4-1	Oil Ring Parts	1
APE7210-D-04-XD	JD186FA.4-3	Piston	1
APE7210-D-05-XD	JD186FA.4-4	Piston Pin	1
APE7210-D-06-XD	GB894.1-86	Circlip 23	2
APE7210-D-07-XD	JD186FA.4-7	Linkage Body	1
APE7210-D-08-XD	JD186FA.4-5	Connecting Rod Bearing	2
APE7210-D-09-XD	JD186FA.4-6	Connecting Rod Cap	1
APE7210-D-10-XD	JD186FA.4-12	Connecting Rod Nut	2

25

## 11. PARTS LIST

Crankshaft Flywheel Assembly

E



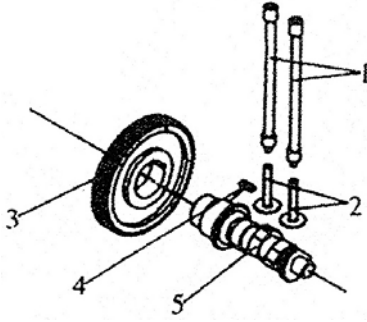
APA PART NO.	FACTORY CODE	DESCRIPTION	QTY
APE7210-E-01-XD	GB276-1994	Scroll Bearing 6203/p5	2
APE7210-E-02-XD	JD186FA.5.3-1	Balance Shaft	1
APE7210-E-03-XD	JD186FA.5-6	Key	2
APE7210-E-04-XD	JD186FA.5.3-2	Balance Shaft Timing Gears	1
APE7210-E-05-XD	GB/T5789-1986	Output Fastening Bolt	1
APE7210-E-06-XD	GB93-1987	Washers 10	1
APE7210-E-07-XD	JD186FA.5-7	Clamping Washer	1
APE7210-E-08-XD	JD186FA.5.2-3	Crankshaft Timing Gear	1
APE7210-E-09-XD	GB1096-2003	Key 6x50	1
APE7210-E-10-XD	JD186FA.5.2-1	Crankshaft	1
APE7210-E-11-XD	GB/T308-1989	Steel Ball	1
APE7210-E-12-XD	GB/T1096-2003	Key 5x12	1
APE7210-E-13-XD	JD186FA.5-5	Balancer Shaft Transmission Gear	1
APE7210-E-14-XD	GB/T1096-2003	Key 5x14	1
APE7210-E-15-XD	JD186FA.5.1-2	Flywheel Gear Ring	1
APE7210-E-16-XD	JD186FA.5.1-1	Flywheel	1
APE7210-E-17-XD	JD186FA.5-3	Flywheel Nut Washer	1
APE7210-E-18-XD	JD186FA.5-2	Flywheel Nut	1
APE7210-E-19-XD	JD186FA.5-1	Starting Claw Plate	1
APE7210-E-20-XD	JD186FA.5-2	Bolt M6x12	1

26

## 11. PARTS LIST

Camshaft Assembly

F



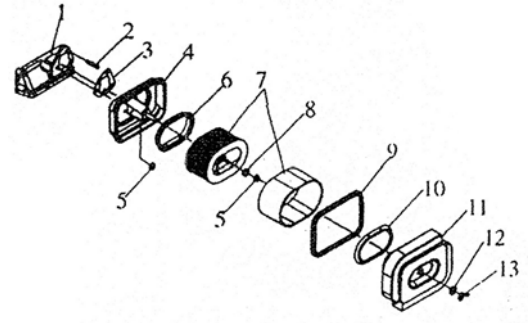
APA PART NO.	FACTORY CODE	DESCRIPTION	QTY
APE7210-F-01-XD	JD186FA.6.1	Valve Push Rod Parts	2
APE7210-F-02-XD	JD186FA.6-3	Tappet	2
APE7210-F-03-XD	JD186FA.6-2	Camshaft Timing Gear	1
APE7210-F-04-XD	GB/T1096-2003	Key 5x14	1
APE7210-F-05-XD	JD186FA.6-1	Camshaft	1
APE7210-F-06-XD	GB1096-79	Key 8x40	1

27

## 11. PARTS LIST

Air Intake System

G



APA PART NO.	FACTORY CODE	DESCRIPTION	QTY
APE7210-G-01-XD	JD186FA.7.4-1	Air Intake Manifold	1
APE7210-G-02-XD	JD186FA.7.3-1	Air Filter Fastening Bolt	1
APE7210-G-03-XD	JD186FA.7-1	Air Filter Gasket	1
APE7210-G-04-XD	JD186FA.7.3	Air Filter Bottom Shell Parts	1
APE7210-G-05-XD	GB/T6170-2000	Bolt M6	4
APE7210-G-06-XD	JD186FA.7.2-3	Prevent Vibration Seal Ring	1
APE7210-G-07-XD	JD186FA.7.1	Air Filter Core Components	1
APE7210-G-08-XD	JD186FA.7.1-1	Prevent Vibration Part	1
APE7210-G-09-XD	JD186FA.7.2-1	Seal Ring	1
APE7210-G-10-XD	JD186FA.7.3-3	Prevent Vibration Seal Ring	1
APE7210-G-11-XD	JD186FA.7.2	Air Filter Cover Parts	1
APE7210-G-12-XD	JD186FA.7.2.1	Prevent Vibration Seal Components	1
APE7210-G-13-XD	GB62-1988	Nut M8	1

28

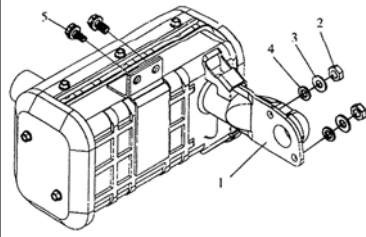
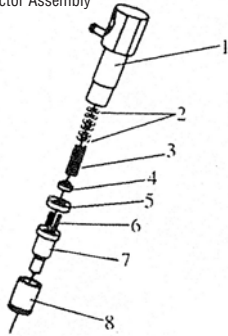
## 11. PARTS LIST

Injector Assembly

H

Muffler Assy

I



APA PART NO.	FACTORY CODE	DESCRIPTION	QTY
APE7210-H-01-XD	JD186FA.13	Injector Body Parts	1
APE7210-H-02-XD	JD186FA.13-7	Gasket	1
APE7210-H-03-XD	JD186FA.13-1	Regulator Spring	1
APE7210-H-04-XD	JD186FA.13-2	Mandril	1
APE7210-H-05-XD	JD186FA.13-3	Intermediate Body	1
APE7210-H-06-XD	JD186FA.13-4	Location Pin	2
APE7210-H-07-XD	JD186FA.13-5	Nozzle	1
APE7210-H-08-XD	JD186FA.13-6	Nozzle Tight Cap	1

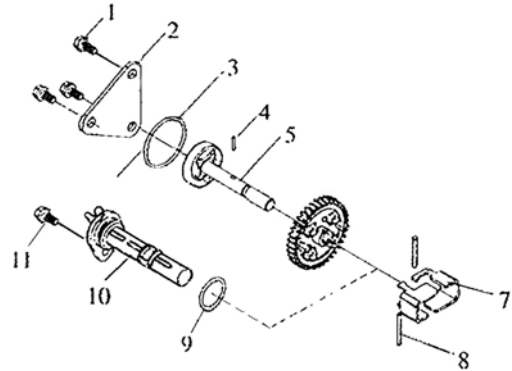
APA PART NO.	FACTORY CODE	DESCRIPTION	QTY
APE7210-I-01-XD	JD186FA.8	Muffler components	1
APE7210-I-02-XD	GB62-1988	Nut M8	2
APE7210-I-03-XD	GB93-1987	Spring washer 8	2
APE7210-I-04-XD	GB/T97.1-2002	Washer 8	2
APE7210-I-05-XD	GB/T97.1-2002	Washer M8X14	2

29

## 11. PARTS LIST

Lubrication System

J

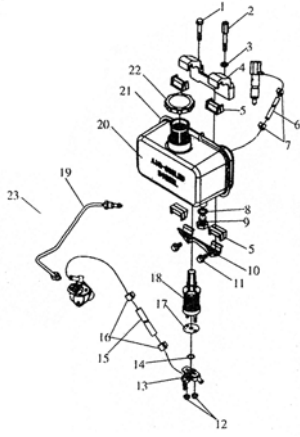


APA PART NO.	FACTORY CODE	DESCRIPTION	QTY
APE7210-J-01-XD	GB/T5789-1986	Bolt M6X12	3
APE7210-J-02-XD	JD186FA.9-1	Oil pump cover	1
APE7210-J-03-XD	GB/T3452.1-2005	ring 34X1.8	1
APE7210-J-04-XD	GB/T119.1-2000	Pin 3X16	1
APE7210-J-05-XD	JD186FA.9.1	Oil pump parts	1
APE7210-J-06-XD	JD186FA.9-2	Oil pump Transmission gear	1
APE7210-J-07-XD	JD186FA.11-1	Flyweight	2
APE7210-J-08-XD	JD186FA.11-2	Flyweight pin	2
APE7210-J-09-XD	GB/T1235-1976	ring 25X2.4	1
APE7210-J-10-XD	JD186FA.9.2	Oil filter parts	1
APE7210-J-11-XD	GB/T5789-1986	Bolt M6X14	1

30

## 11. PARTS LIST

The Fuel System



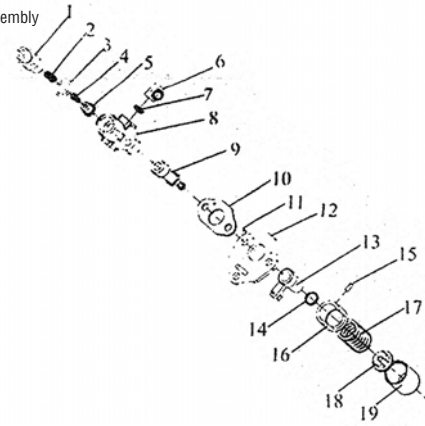
K

APA PART NO.	FACTORY CODE	DESCRIPTION	QTY
APE7210-K-01-XD	GB/T5782-2000	Bolt M8x45	1
APE7210-K-02-XD	JD186FA.10-3	Fastening Bolts On The Fuel Tank Bracket	1
APE7210-K-03-XD	GB/T97.1-2002	Washer 8	1
APE7210-K-04-XD	JD186FA.10-1	The Fuel Tank Upper Bracket	1
APE7210-K-05-XD	JD186FA.10-2	Prevent Vibration Gasket	4
APE7210-K-06-XD	JD186FA.10-12	Oil Return Pipe	1
APE7210-K-07-XD	JD186FA.10-13	Oil Return Pipe Clamp	2
APE7210-K-08-XD	JD186FA.10-8	Oil Discharge Bolt Gasket	1
APE7210-K-09-XD	GBS786-1986	Bolt M12x1.25x14	1
APE7210-K-10-XD	JD186FA.10.6	The Fuel Tank Latter Bracket Parts	1
APE7210-K-11-XD	GB/T5789-1986	Bolt M6x14	2
APE7210-K-12-XD	GB/T6170-2000	Nut M6	2
APE7210-K-13-XD	JD186FA.10.4	Fuel Tank Switch Boby Parts	1
APE7210-K-14-XD	GB/T3452.1-2005	Ring 13.2x1.8	1
APE7210-K-15-XD	JD186FA.10-9	Oil Pipe	1
APE7210-K-16-XD	JD186FA.10-11	Clamp	2
APE7210-K-17-XD	JD186FA.10-7	Diesel Oil Filer Gasket	4
APE7210-K-18-XD	JD186FA.10.3	Filter Core Parts	1
APE7210-K-19-XD	JD186FA.10.5	High-pressure Tubing Parts	1
APE7210-K-20-XD	JD186FA.10.2	Fuel Tank Weldment	1
APE7210-K-21-XD	JD186FA.10-4	Refueling Filter Net	1
APE7210-K-22-XD	JD186FA.10.1-1	Fuel Tank Cap	1
APE7210-K-23-XD	JD186FA.10-1-2	Damping Pad	1

31

## 11. PARTS LIST

Fuel System Assembly



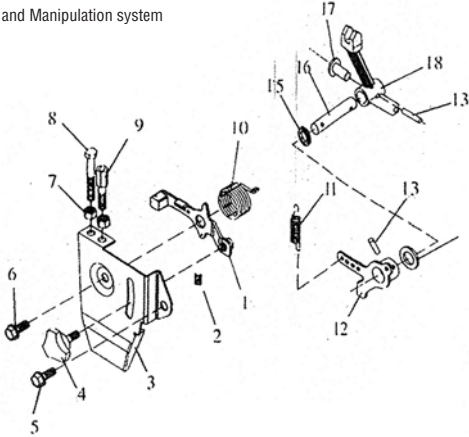
L

APA PART NO.	FACTORY CODE	DESCRIPTION	QTY
APE7210-L-01-XD	JD186FA.12-1	Fuel delivery valve tightening seat	1
APE7210-L-02-XD	JD186FA.12-2	Fuel delivery valve spring	1
APE7210-L-03-XD	JD186FA.12-3	Fuel delivery valve seal gasket	1
APE7210-L-04-XD	JD186FA.12-4	Fuel delivery valve core	1
APE7210-L-05-XD	JD186FA.12-5	Seat for fuel delivery valve	1
APE7210-L-06-XD	JD186FA.12-6	Oil pipe body Weldment	1
APE7210-L-07-XD	JD186FA.12-7	O ring	1
APE7210-L-08-XD	JD186FA.12-8	Pump body	1
APE7210-L-09-XD	JD186FA.12-9	Plunger	1
APE7210-L-10-XD	JD186FA.12-10	Gasket	1
APE7210-L-11-XD	GB/T879-1986	Pin 2x6	2
APE7210-L-12-XD	JD186FA.12-11	Pump body connecting plate	1
APE7210-L-13-XD	JD186FA.12-12	Fuel control sleeve connecting plate	1
APE7210-L-14-XD	JD186FA.12-13	Steel wire circlip	1
APE7210-L-15-XD	GB/T879-1986	Pin3x8	1
APE7210-L-16-XD	JD186FA.12-14	Support bodyt	2
APE7210-L-17-XD	JD186FA.12-15	Plunger spring	1
APE7210-L-18-XD	JD186FA.12-16	Spring latter Seat	1
APE7210-L-19-XD	JD186FA.12-17	Tappe boby	1

32

## 11. PARTS LIST

Speed control and Manipulation system



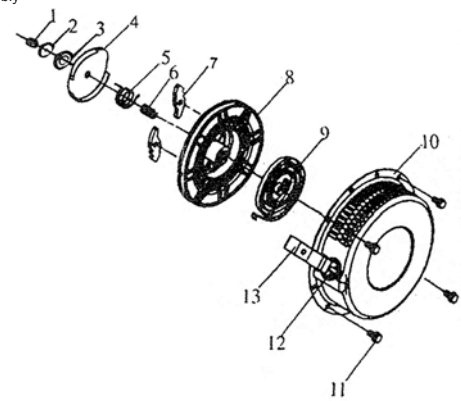
M

APA PART NO.	FACTORY CODE	DESCRIPTION	QTY
APE7210-M-01-XD	JD186FA.11.3	Manipulation handle parts	1
APE7210-M-02-XD	JD186FA.11-11	Return spring II	1
APE7210-M-03-XD	JD186FA.11.3-2	Manipulation handle shaft	1
APE7210-M-04-XD	JD186FA.11.3-1	Plate weldment	1
APE7210-M-05-XD	GB/T5789-1986	Boit M6X14	1
APE7210-M-06-XD	GB/T5789-1986	Bolt M6X18	1
APE7210-M-07-XD	GB/T39-1988	Nut M6	2
APE7210-M-08-XD	JD186FA.11.2-2	Pull bolt	1
APE7210-M-09-XD	JD186FA.11.2-1	Speed limit screw	1
APE7210-M-10-XD	JD186FA.11-5	Return spring I	1
APE7210-M-11-XD	JD186FA.11-12	Governor spring	1
APE7210-M-12-XD	JD186FA.11.1-1	Speed control lever weldment	1
APE7210-M-13-XD	GB/T117-2000	Pin 3X22	2
APE7210-M-14-XD	GB/T97.1-2002	Washer 6	2
APE7210-M-15-XD	JD186FA.11-9	Lever shaft oil seal	1
APE7210-M-16-XD	JD186FA.11.1-2	Lever shaft	1
APE7210-M-17-XD	JD186FA.11-4	Speed control push plate	1
APE7210-M-18-XD	JD186FA.11.1-1	Fork	1

33

## 11. PARTS LIST

Hand Starter Assembly



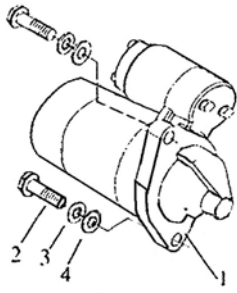
N

APA PART NO.	FACTORY CODE	DESCRIPTION	QTY
APE7210-N-01-XD	GB/T6170-2000	Nut M6	1
APE7210-N-02-XD	GB/T93-1987	Washer 6	1
APE7210-N-03-XD	JD186FA.14-2	Friction Gasket	1
APE7210-N-04-XD	JD186FA.14-4	Starter Claw Platen	1
APE7210-N-05-XD	JD186FA.14-11	Torsion Spring	1
APE7210-N-06-XD	JD186FA.14-9	Compression Spring	1
APE7210-N-07-XD	JD186FA.14-8	Starter Claw	2
APE7210-N-08-XD	JD186FA.14-1	Starter Pulling Plate	1
APE7210-N-09-XD	JD186FA.14-6	Plane Scroll Spring	1
APE7210-N-10-XD	JD186FA.14.1	Shell Parts	1
APE7210-N-11-XD	GB/T5789-1986	Bolt M6x8	4
APE7210-N-12-XD	JD186FA.14-5	Starter Cord	1
APE7210-N-13-XD	JD186FA.14-7	Starter Handle	1

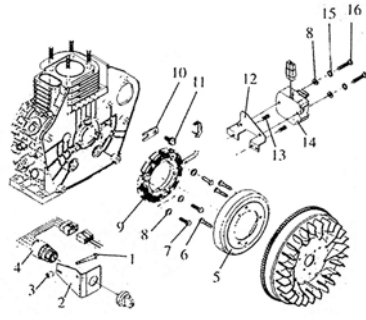
34

## 11. PARTS LIST

Starter Motor Assembly



**O** Flywheel Generator Assembly



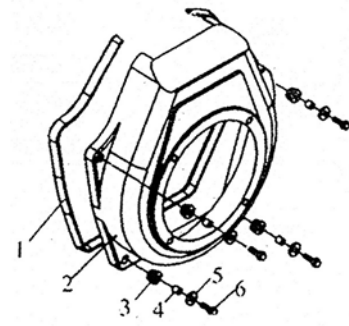
**P**

APA PART NO.	FACTORY CODE	DESCRIPTION	QTY
APE7210-O-01-XD	JD186FA.15-1	Starter motor assembly	1
APE7210-O-02-XD	GB/T5782-2000	Bolt M10X35	2
APE7210-O-03-XD	GB/T93-1987	Washer 10	2
APE7210-O-04-XD	GB/T97.1-1985	Washer 10	2

APA PART NO.	FACTORY CODE	DESCRIPTION	QTY
APE7210-P-01-XD	GB/T5789-1986	Bolt M6X83	2
APE7210-P-02-XD	JD186FA.16-1	Electric starter switch plate	1
APE7210-P-03-XD	JD186FA.16-2	Long washer	2
APE7210-P-04-XD	JD186FA.16-3	Electric starter switch body parts	1
APE7210-P-05-XD	JD186FA.16-4	Rotor parts	1
APE7210-P-06-XD	GB/T819.1-2000	Bolt M6X14	3
APE7210-P-07-XD	GB/T5782-2000	Bolt M6X20	3
APE7210-P-08-XD	GB/T97.1-1985	Washer 6	5
APE7210-P-09-XD	JD186FA.16-5	Starter parts	1
APE7210-P-10-XD	JD186FA.16-6	Circlip	1
APE7210-P-11-XD	GB/T5789-1986	Screw M6X12	1
APE7210-P-12-XD	JD186FA.16-7	Governor supporting frames I	1
APE7210-P-13-XD	GB/T5789-1986	Screw M6X14	2
APE7210-P-14-XD	JD186FA.16-8	Regulator parts	1
APE7210-P-15-XD	GB/T93-1987	Washer 6	2
APE7210-P-16-XD	GB/T818-1988	Bolt M6X14	2

## 11. PARTS LIST

The Fan Cover Assembly



**Q**

APA PART NO.	FACTORY CODE	DESCRIPTION	QTY
APE7210-Q-01-XD	JD186FA.17-3	Reduce Vibration Gasket	1
APE7210-Q-02-XD	JD186FA.17.1	Wind guide cover welding parts	1
APE7210-Q-03-XD	JD186FA.17-2	Reduce vibration cover	4
APE7210-Q-04-XD	JD186FA.17-1	Bush	4
APE7210-Q-05-XD	GB/T93-1987	Washer 6	4
APE7210-Q-06-XD	GB/T5789-1986	Bolt M6X22	4